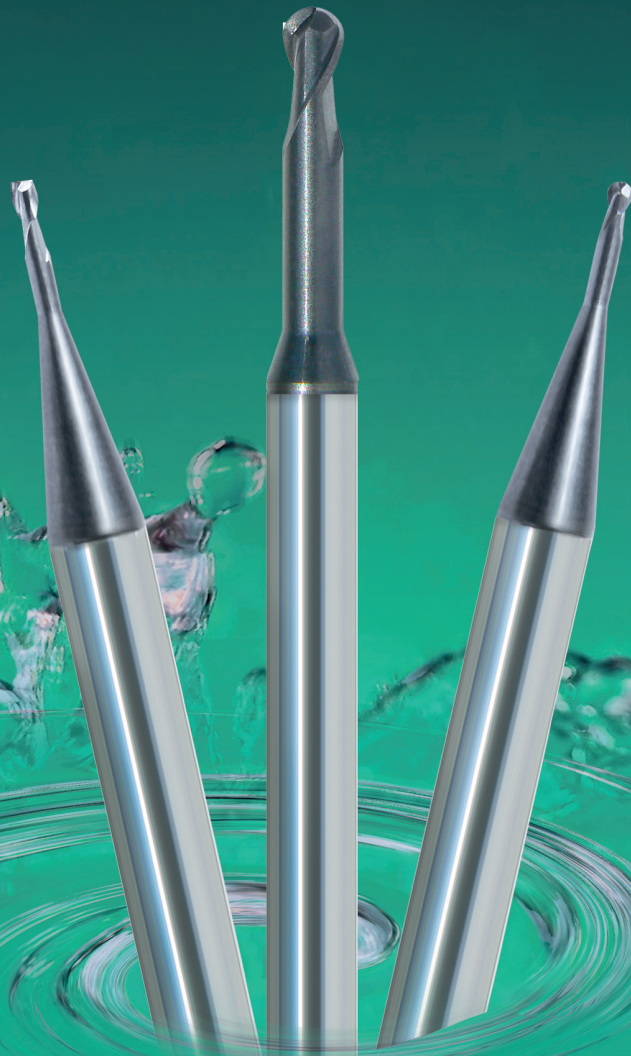


Merlin Tools Ltd



Solid Carbide Performance Miniature Range

Manufactured in the USA
Distributed in the UK



**NEW
PRODUCT
LINES**

Ball Nosed Miniature Series - TiALN

Ultra-High Performance Solid Carbide 30° Helix - TiALN
Micro-grain K30 Ball Nosed - 2 flute - Neck Relief - Long Reach

**NEW
SIZES**



Tolerance Shank H6
Tolerance Cutting
Up to 3mm +0.00mm -0.025mm
Over 3mm +0.000mm -0.038mm

CUTTER DIA	SHANK DIA	NECK	FL	OAL	REACH	PART NUMBER
0.50	6	0.45	0.50	60	2.5	715-20705
0.60	6	0.55	0.60	60	3	715-20706
0.60	6	0.55	0.60	60	6	715-20806
0.80	6	0.75	0.80	60	4	715-20708
0.80	6	0.75	0.80	60	8	715-20808
1.00	6	0.95	1.00	60	5	715-20701
1.00	6	0.95	1.00	60	8	715-20801
1.00	6	0.95	1.00	60	10	715-20901
1.00	6	0.95	1.00	60	12	715-20710
1.00	6	0.95	1.00	60	16	715-20810
1.00	6	0.95	1.00	60	20	715-20910
1.20	6	1.15	1.20	60	6	715-20712
1.20	6	1.15	1.20	60	12	715-20812
1.40	6	1.35	1.40	60	7	715-20714
1.40	6	1.35	1.40	60	12	715-20814
1.50	6	1.45	1.50	60	6	715-20914
1.50	6	1.45	1.50	60	7.5	715-20715
1.50	6	1.45	1.50	60	10	715-20815
1.50	6	1.45	1.50	60	12	715-20915
1.50	6	1.45	1.50	60	20	715-20015
1.60	6	1.55	1.60	60	8	715-20716
1.60	6	1.55	1.60	60	16	715-20816
1.80	6	1.75	1.80	60	9	715-20718
1.80	6	1.75	1.80	60	16	715-20818
2.00	6	1.95	2.00	60	8	715-20620
2.00	6	1.95	2.00	60	10	715-20720
2.00	6	1.95	2.00	60	12	715-20820
2.00	6	1.95	2.00	60	16	715-20920
2.00	6	1.95	2.00	60	20	715-20702
2.00	6	1.95	2.00	60	25	715-20802
2.50	6	2.40	2.50	60	12.5	715-20725
2.50	6	2.40	2.50	60	16	715-20825
2.50	6	2.40	2.50	60	20	715-20925
3.00	6	2.85	3.00	70	10	715-20530
3.00	6	2.85	3.00	70	12	715-20630
3.00	6	2.85	3.00	70	15	715-20730
3.00	6	2.85	3.00	70	20	715-20830
3.00	6	2.85	3.00	70	25	715-20930
3.00	6	2.85	3.00	70	30	715-20603
3.00	6	2.85	3.00	70	35	715-20703
3.50	6	3.35	3.50	70	17.5	715-20735
4.00	6	3.85	4.00	70	8	715-20440
4.00	6	3.85	4.00	70	12	715-20540
4.00	6	3.85	4.00	70	16	715-20640
4.00	6	3.85	4.00	70	20	715-20740
4.00	6	3.85	4.00	70	25	715-20840
4.00	6	3.85	4.00	70	30	715-20940
5.00	6	4.85	5.00	80	25	715-20750
6.00	6	5.85	6.00	90	30	715-20760

 **Extremely Competitive Pricing**

 **Ex Stock Delivery on All Tools**

Merlin Tools Ltd
Quality
Precision
Performance

Manufactured in the USA
Distributed in the UK

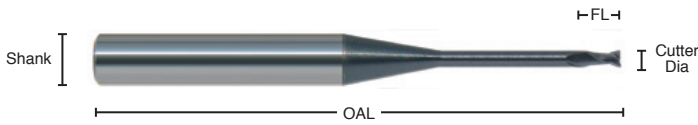


Tel: 01509 610300 • Fax: 01509 610400 • Email: sales@merlintools.ltd.uk • www.merlintools.ltd.uk

Square End Miniature Series - TiALN

Ultra-High Performance Solid Carbide 30° Helix - TiALN
Micro-grain K30 Square End - 2 flute - Neck Relief - Long Reach

**NEW
SIZES**



Tolerance Shank H6
Tolerance Cutting
Up to 3mm +0.00mm -0.025mm
Over 3mm +0.000mm -0.038mm

CUTTER DIA	SHANK DIA	NECK	FL	OAL	REACH	PART NUMBER
0.50	6	0.45	0.70	60	2.50	700-20305
0.50	6	0.45	0.70	60	4.00	700-20405
0.50	6	0.45	0.70	60	6.00	700-20505
0.60	6	0.55	0.90	60	3.00	700-20306
0.60	6	0.55	0.90	60	6.00	700-20406
0.80	6	0.75	1.20	60	4.00	700-20308
0.80	6	0.75	1.20	60	6.00	700-20408
1.00	6	0.95	1.50	60	5.00	700-20301
1.00	6	0.95	1.50	60	8.00	700-20401
1.00	6	0.95	1.50	60	12.00	700-20501
1.20	6	1.15	1.80	60	6.00	700-20312
1.20	6	1.15	1.80	60	10.00	700-20412
1.40	6	1.35	2.10	60	7.00	700-20314
1.40	6	1.35	2.10	60	12.00	700-20414
1.40	6	1.35	2.10	60	16.00	700-20514
1.50	6	1.45	2.30	60	7.50	700-20315
1.50	6	1.45	2.30	60	10.00	700-20415
1.50	6	1.45	2.30	60	20.00	700-20515
1.60	6	1.55	2.40	60	8.00	700-20316
1.60	6	1.55	2.40	60	12.00	700-20416
1.60	6	1.55	2.40	60	20.00	700-20516
1.80	6	1.75	2.70	60	6.00	700-20218
1.80	6	1.75	2.70	60	9.00	700-20318
1.80	6	1.75	2.70	60	12.00	700-20418
1.80	6	1.75	2.70	60	20.00	700-20518
2.00	6	1.95	3.00	60	6.00	700-20220
2.00	6	1.95	3.00	60	10.00	700-20320
2.00	6	1.95	3.00	60	16.00	700-20420
2.00	6	1.95	3.00	60	20.00	700-20520
2.50	6	2.40	3.70	60	12.50	700-20325

- ✓ **Extremely Competitive Pricing**
- ✓ **Ex Stock Delivery on All Tools**

Merlin Tools Ltd

Manufactured in the USA
Distributed in the UK



Corner Radius Miniature Series - TiALN

Ultra-High Performance Solid Carbide - TiALN
Micro-grain K30 Corner Radius 2 flute Neck Relief - Long Reach

NEW



Tolerance Shank H6
Tolerance Cutting
Up to 3mm +0.00mm -0.025mm
Over 3mm +0.000mm -0.038mm

CUTTER DIA	SHANK DIA	NECK	FL	OAL	REACH	CORNER RADIUS	PART NUMBER
0.50	6	0.46	0.70	50	2	0.05	730-27700-0.05R
0.50	6	0.46	0.70	50	4	0.05	730-27800-0.05R
1.00	6	0.95	1.50	50	4	0.10	730-27701-0.1R
1.00	6	0.95	1.50	50	4	0.30	730-27701-0.3R
1.00	6	0.95	1.50	50	8	0.10	730-27801-0.1R
1.00	6	0.95	1.50	50	8	0.20	730-27801-0.2R
1.00	6	0.95	1.50	50	8	0.30	730-27801-0.3R
1.00	6	0.95	1.50	50	12	0.10	730-27901-0.1R
1.00	6	0.95	1.50	50	12	0.20	730-27901-0.2R
1.00	6	0.95	1.50	50	12	0.30	730-27901-0.3R
1.50	6	1.45	2.30	50	6	0.30	730-27702-0.3R
1.50	6	1.45	2.30	50	6	0.50	730-27702-0.5R
1.50	6	1.45	2.30	50	12	0.30	730-27802-0.3R
1.50	6	1.45	2.30	50	12	0.50	730-27802-0.5R
1.50	6	1.45	2.30	60	18	0.30	730-27902-0.3R
1.50	6	1.45	2.30	60	18	0.50	730-27902-0.5R
2.00	6	1.94	3.00	60	10	0.50	730-27603-0.5R
2.00	6	1.94	3.00	60	16	0.30	730-27703-0.3R
2.00	6	1.94	3.00	60	16	0.50	730-27703-0.5R
2.00	6	1.94	3.00	70	24	0.30	730-27803-0.3R
2.00	6	1.94	3.00	70	24	0.50	730-27803-0.5R
2.00	6	1.94	3.00	70	30	0.30	730-27903-0.3R
2.00	6	1.94	3.00	70	30	0.50	730-27903-0.5R
2.50	6	2.40	3.70	70	15	0.50	730-27704-0.5R
2.50	6	2.40	3.70	70	30	0.50	730-27804-0.5R
3.00	6	2.85	4.50	70	12	1.00	730-27705-1.0R
3.00	6	2.85	4.50	80	24	0.50	730-27805-0.5R
3.00	6	2.85	4.50	80	24	1.00	730-27805-1.0R
3.00	6	2.85	4.50	80	36	0.50	730-27905-0.5R
3.00	6	2.85	4.50	80	36	1.00	730-27905-1.0R
3.50	6	3.35	5.00	80	16	1.00	730-27706-1.0R
3.50	6	3.35	5.00	80	32	0.50	730-27806-0.5R
4.00	6	3.80	6.00	80	16	0.50	730-27707-0.5R
4.00	6	3.80	6.00	80	32	0.50	730-27907-0.5R
4.00	6	3.80	6.00	80	32	1.00	730-27907-1.0R
4.50	6	4.30	8.00	80	16	0.50	730-27708-0.5R
4.50	6	4.30	8.00	80	32	0.50	730-27808-0.5R



All Corner Radius Tools Ex Stock



Extremely Competitive Pricing

Merlin Tools Ltd
Quality
Precision
Performance

Manufactured in the USA
Distributed in the UK

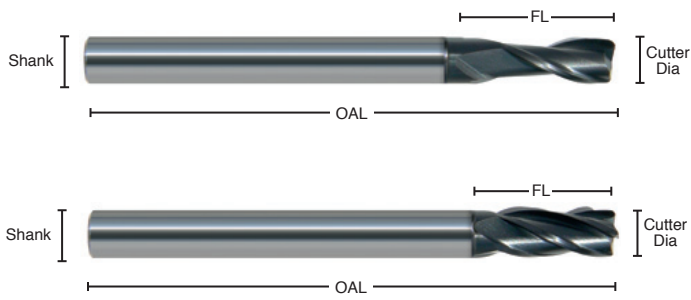


Tel: 01509 610300 • Fax: 01509 610400 • Email: sales@merlintools.ltd.uk • www.merlintools.ltd.uk

Corner Radius - Long Series - TiALN

Ultra-High Performance Solid Carbide 30° Helix - TiALN
Micro-grain K30 2 & 4 Flute Corner Radius - Long Series

NEW

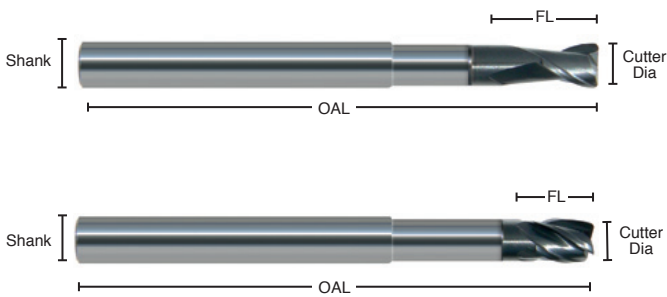


Tolerance Shank H6
Tolerance Cutting
Up to 3mm +0.00mm -0.025mm
Over 3mm +0.000mm -0.038mm

CUTTER DIA	SHANK DIA	FL	OAL	CORNER RADIUS	2 FLUTE PART NUMBER	4 FLUTE PART NUMBER
3	6	8	60	0.20	740-25805-0.2R	745-26905-0.2R
3	6	8	60	0.50	740-25805-0.5R	745-26905-0.5R
4	6	11	70	0.20	740-25807-0.2R	745-26907-0.2R
4	6	11	70	0.50	740-25807-0.5R	745-26907-0.5R
4	6	11	70	1.00	740-25807-1.0R	745-26907-1.0R
5	6	13	80	0.20	740-25809-0.2R	745-26909-0.2R
5	6	13	80	0.50	740-25809-0.5R	745-26909-0.5R
5	6	13	80	1.00	740-25809-1.0R	745-26909-1.0R
6	6	13	80	0.20	740-25810-0.2R	745-26910-0.2R
6	6	13	80	0.50	740-25810-0.5R	745-26910-0.5R
6	6	13	80	1.00	740-25810-1.0R	745-26910-1.0R
6	6	13	80	1.50	740-25810-1.5R	745-26910-1.5R
6	6	13	80	2.00	740-25810-2.0R	745-26910-2.0R
8	8	19	100	0.50	740-25812-0.5R	745-26912-0.5R
8	8	19	100	1.00	740-25812-1.0R	745-26912-1.0R
8	8	19	100	1.50	740-25812-1.5R	745-26912-1.5R
8	8	19	100	2.00	740-25812-2.0R	745-26912-2.0R
10	10	22	100	0.50	740-25814-0.5R	745-26914-0.5R
10	10	22	100	1.00	740-25814-1.0R	745-26914-1.0R
10	10	22	100	1.50	740-25814-1.5R	745-26914-1.5R
10	10	22	100	2.00	740-25814-2.0R	745-26914-2.0R
10	10	22	100	3.00	740-25814-3.0R	745-26914-3.0R
12	12	26	110	0.50	740-25816-0.5R	745-26916-0.5R
12	12	26	110	1.00	740-25816-1.0R	745-26916-1.0R
12	12	26	110	1.50	740-25816-1.5R	745-26916-1.5R
12	12	26	110	2.00	740-25816-2.0R	745-26916-2.0R
12	12	26	110	3.00	740-25816-3.0R	745-26916-3.0R

Ultra-High Performance Solid Carbide 30° Helix - TiALN
Micro-grain K30 2 & 4 Flute Corner Radius
Long Series - Neck Relief

NEW



Tolerance Shank H6
Tolerance Cutting
Up to 3mm +0.00mm -0.025mm
Over 3mm +0.000mm -0.038mm

CUTTER DIA	SHANK DIA	NECK DIA	FL	OAL	REACH	CORNER RADIUS	2 FLUTE PART NUMBER	4 FLUTE PART NUMBER
3	6	2.80	4.50	60	14	0.20	750-27605-0.2R	755-28705-0.2R
3	6	2.80	4.50	60	14	0.50	750-27605-0.5R	755-28705-0.5R
4	6	3.70	6.00	70	25	0.20	750-27607-0.2R	755-28707-0.2R
4	6	3.70	6.00	70	25	0.50	750-27607-0.5R	755-28707-0.5R
4	6	3.70	6.00	70	25	1.00	750-27607-1.0R	755-28707-1.0R
5	6	4.60	7.50	80	30	0.20	750-27609-0.2R	755-28709-0.2R
5	6	4.60	7.50	80	30	0.50	750-27609-0.5R	755-28709-0.5R
5	6	4.60	7.50	80	30	1.00	750-27609-1.0R	755-28709-1.0R
6	6	5.50	9.00	80	35	0.20	750-27610-0.2R	755-28710-0.2R
6	6	5.50	9.00	80	35	0.50	750-27610-0.5R	755-28710-0.5R
6	6	5.50	9.00	80	35	1.00	750-27610-1.0R	755-28710-1.0R
6	6	5.50	9.00	80	35	1.50	750-27610-1.5R	755-28710-1.5R
6	6	5.50	9.00	80	35	2.00	750-27610-2.0R	755-28710-2.0R
8	8	7.40	12.00	100	40	0.50	750-27612-0.5R	755-28712-0.5R
8	8	7.40	12.00	100	40	1.00	750-27612-1.0R	755-28712-1.0R
8	8	7.40	12.00	100	40	1.50	750-27612-1.5R	755-28712-1.5R
8	8	7.40	12.00	100	40	2.00	750-27612-2.0R	755-28712-2.0R
10	10	9.20	15.00	100	45	0.50	750-27614-0.5R	755-28714-0.5R
10	10	9.20	15.00	100	45	1.00	750-27614-1.0R	755-28714-1.0R
10	10	9.20	15.00	100	45	1.50	750-27614-1.5R	755-28714-1.5R
10	10	9.20	15.00	100	45	2.00	750-27614-2.0R	755-28714-2.0R
10	10	9.20	15.00	100	45	3.00	750-27614-3.0R	755-28714-3.0R
12	12	11.00	18.00	110	50	0.50	750-27616-0.5R	755-28716-0.5R
12	12	11.00	18.00	110	50	1.00	750-27616-1.0R	755-28716-1.0R
12	12	11.00	18.00	110	50	1.50	750-27616-1.5R	755-28716-1.5R
12	12	11.00	18.00	110	50	2.00	750-27616-2.0R	755-28716-2.0R
12	12	11.00	18.00	110	50	3.00	750-27616-3.0R	755-28716-3.0R

 **All Corner Radius Tools Ex Stock**

Merlin Tools Ltd
Quality
Precision
Performance

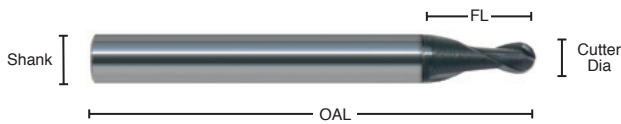
Manufactured in the USA
Distributed in the UK


Tel: 01509 610300 • Fax: 01509 610400 • Email: sales@merlintools.ltd.uk • www.merlintools.ltd.uk

Ball Nosed - Ultra High Performance - TiALN

Ultra-High Performance Solid Carbide 30° Helix - TiALN
Micro-grain K30 Ball Nosed - 2 Flute Neck Relief

**NEW
SIZES**

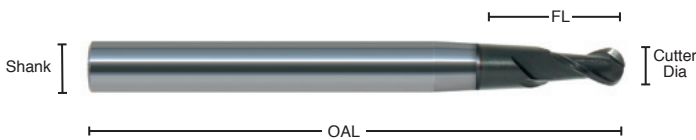


Tolerance Shank H6
Tolerance Cutting
Up to 3mm +0.00mm -0.025mm
Over 3mm +0.000mm -0.038mm

CUTTER DIA	SHANK DIA	NECK	FL	OAL	REACH	PART NUMBER
1.00	6	0.95	1.00	50	2.50	710-20601
1.20	6	1.15	1.20	50	3.00	710-20612
1.40	6	1.35	1.40	50	7.00	710-20614
1.50	6	1.45	1.50	50	3.80	710-20615
1.60	6	1.55	1.60	50	4.00	710-20616
1.80	6	1.75	1.80	50	4.50	710-20618
2.00	6	1.95	2.00	50	5.00	710-20620
2.50	6	2.4	2.50	50	5.00	710-20625
3.00	6	2.85	3.00	50	6.00	710-20630
3.50	6	3.35	3.50	50	6.00	710-20635
4.00	6	3.85	4.00	50	6.00	710-20640
5.00	6	4.85	5.00	50	7.50	710-20650
6.00	6	5.85	6.00	50	9.00	710-20660

Ultra-High Performance Solid Carbide 30° Helix - TiALN
Micro-grain K30 Ball Nosed - 2 Flute Pencil Neck

**NEW
SIZES**



Tolerance Shank H6
Tolerance Cutting
Up to 3mm +0.00mm -0.025mm
Over 3mm +0.000mm -0.038mm

CUTTER DIA	SHANK DIA	FL	OAL	NECK MAJOR DIA	NECK LENGTH	NON-TAPER NECK LENGTH	NECK INCLINE	PART NUMBER
1	6	2.50	60	3.80	20.00	4.00	5°	720-27501
1	6	2.50	80	4.80	40.00	4.00	3°	720-27601
1	6	2.50	70	1.80	20.00	4.00	1°5'	720-27701
2	6	5.00	60	4.30	20.00	7.00	5°	720-27503
2	6	5.00	80	5.50	40.00	7.00	3°	720-27603
2	6	5.00	70	2.70	20.00	7.00	1°5'	720-27703
3	6	8.00	70	5.00	30.00	10.50	3°	720-27505
3	6	8.00	90	5.10	50.00	10.50	1°5'	720-27605
4	6	8.00	70	6.00	28.00	10.50	3°	720-27507
4	6	8.00	90	6.00	48.00	10.50	1°5'	720-27607
5	8	10.00	90	8.00	40.00	12.50	3°	720-27509
5	8	10.00	110	7.50	60.00	12.50	1°5'	720-27609
6	8	12.00	90	8.00	33.50	14.50	3°	720-27510
6	8	12.00	110	8.00	52.00	14.50	1°5'	720-27610
8	10	14.00	100	10.00	35.50	16.50	3°	720-27512
8	10	14.00	120	10.00	54.50	16.50	1°5'	720-27612
10	12	18.00	110	12.00	39.50	20.50	3°	720-27514
10	12	18.00	130	12.00	58.50	20.50	1°5'	720-27614
12	16	22.00	140	16.00	60.00	25.00	3°	720-27516
12	16	22.00	160	14.90	80.00	25.00	1°5'	720-27616

 **Ex Stock Delivery on All Tools**

 **Extremely Competitive Pricing**



Call us now for your
FREE 200 page Product Catalogue!

01509 610300

Solid Carbide Endmills • Drills including 3xD - 5xD - 8xD
Solid Carbide Threadmills ISO Metric & NPT
Izar HSSCo & Izarmax ASP 52 Endmills • Machine Taps HSSCo & ASP2023
Carbide Rotary Burrs • Collets and Chucks